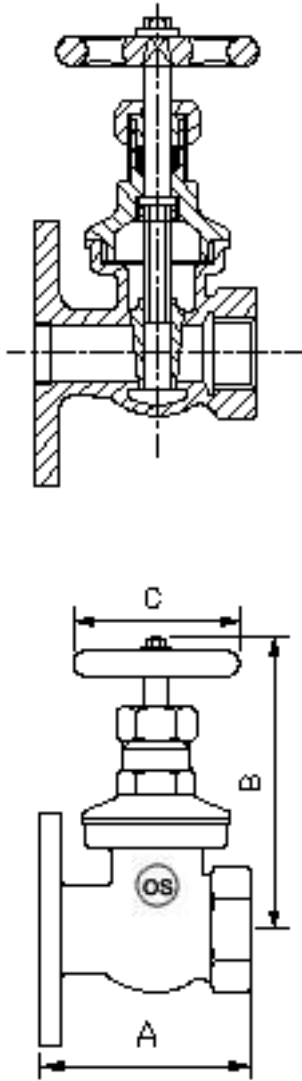


Bronze Gate Valve (Transformer)

Class 150 • SIB • N-R Stem • One Side Flanged End • Locking Rod



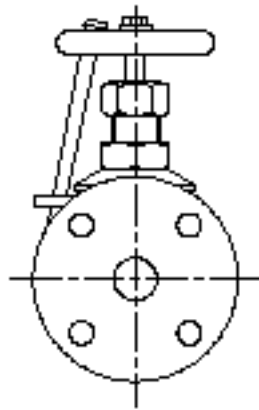
Product no. 111200AIFL

Size Range:

1/2 through 4 inches
Max. temperature limit is 450°F (232°C)

Working Pressures / Temperature Rating:

50 lbs/in² at 250 °F Transformer Oil
3.5 bar at 121 °C Transformer Oil
650 kPa at 121 °C Transformer Oil



Features

- Non Rising Stem
- Screwed Bonnet
- Flanged Ends are plain faces with two v-shaped concentric grooves between the port and bolt holes.
- Full Ports
- PTFE Gland Packing
- Integral Bronze Seat
- Recommended for Transformer Oil
- Powder Coated Aluminium Handwheel
- Powder Coated M.S.Locking Rod

For more details please contact:
export@oswalvalve.com

Above size 4" also available on request

TESTING HYDROSTATIC: BODY: 24 Kg/Cm²
SEAT : 16 Kg/Cm²

Principal Parts & Materials

Part	Material	ASTM
Body	Bronze	B62 alloy 83600
Bonnet	Bronze	B62 alloy 83600
Disc	Bronze	B62 alloy 83600
Stem	Brass	B21 alloy C48200

Dimensions and Weights

Millimeters - Kilograms

DN	1/2" 15	3/4" 20	1" 25	1 1/4" 32	1 1/2" 40	2" 50	2 1/2" 65	3" 80	4" 100
A	65	70	80	90	100	110	125	140	175
B	100	115	120	145	165	185	235	255	315
C	60	65	75	75	95	110	125	125	175
WTS.	0.90	1.30	1.90	2.40	3.70	4.40	7.20	9.70	19.00