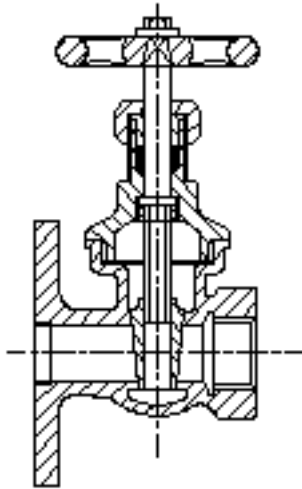


Bronze Gate Valve (Transformer)

Class 150 • Screwed in Bonnet • N-R Stem • One Side Flanged End



Product no. 111200ASF

Size Range:

1/2 through 4 inches
Max. temperature limit is 450°F (232°C)

Working Pressures / Temperature Rating:

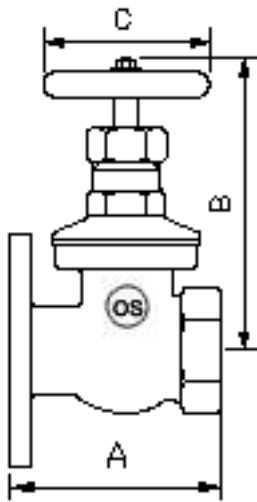
50 lbs/in² at 250 °F Transformer Oil
3.5 bar at 121 °C Transformer Oil
650 kPa at 121 °C Transformer Oil

Features

- Non Rising Stem
- Screwed Bonnet
- Flanged Ends are plain faces with two v-shaped concentric grooves between the port and bolt holes.
- Full Ports
- PTFE Gland Packing
- Integral Bronze Seat
- Recommended for Transformer Oil
- Powder Coated Aluminium Handwheel

For more details please contact:
export@oswalvalve.com

Above size 4" also available on request



TESTING HYDROSTATIC: BODY: 24 Kg/Cm²
SEAT : 16 Kg/Cm²

Principal Parts & Materials

| Part | Material | ASTM |
|--------|----------|------------------|
| Body | Bronze | B62 alloy 83600 |
| Bonnet | Bronze | B62 alloy 83600 |
| Disc | Bronze | B62 alloy 83600 |
| Stem | Brass | B21 alloy C48200 |

Dimensions and Weights

Millimeters - Kilograms

| DN | 1/2" 15 | 3/4" 20 | 1" 25 | 1 1/4" 32 | 1 1/2" 40 | 2" 50 | 2 1/2" 65 | 3" 80 | 4" 100 |
|------|------------|------------|----------|--------------|--------------|----------|--------------|----------|-----------|
| A | 65 | 70 | 80 | 90 | 100 | 110 | 125 | 140 | 175 |
| B | 100 | 115 | 120 | 145 | 165 | 185 | 235 | 255 | 315 |
| C | 60 | 65 | 75 | 75 | 95 | 110 | 125 | 125 | 175 |
| WTS. | 0.80 | 1.20 | 1.80 | 2.20 | 3.50 | 4.20 | 7.00 | 9.50 | 18.80 |