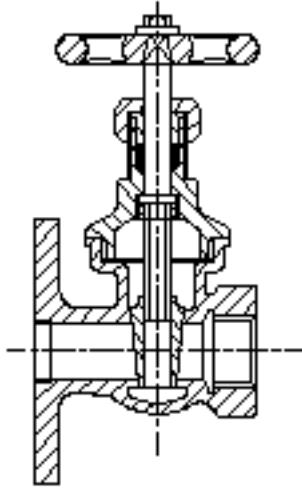


Bronze Gate Valve (Transformer)

10K • S I B • Non-Rising Stem • One side Flanged End



Product no. 111200JSF

Size Range:

1/2 through 4 inches
Max. temperature limit is 450°F (232°C)

Working Pressures / Temperature Rating:

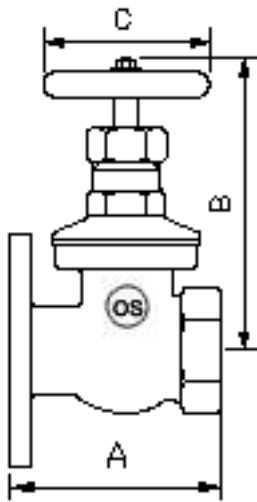
50 lbs/in² at 250 °F Transformer Oil
3.5 bar at 121 °C Transformer Oil
650 kPa at 121 °C Transformer Oil

Features

- Non Rising Stem
- Screwed Bonnet
- Flanged Ends are plain faces with two v-shaped concentric grooves between the port and bolt holes.
- Full Ports
- PTFE Gland Packing
- Integral Bronze Seat
- Recommended for Transformer Oil
- Powder Coated Aluminium Handwheel

For more details please contact:
export@oswalvalve.com

Above size 4" also available on request



TESTING HYDROSTATIC: BODY: 24 Kg/Cm²
SEAT : 16 Kg/Cm²

Principal Parts & Materials

Part	Material	JIS
Body	Bronze	BC6
Bonnet	Bronze	BC6
Disc	Bronze	BC6
Stem	Brass	H3250 C 3601

Dimensions and Weights

Millimeters - Kilograms

DN	1/2" 15	3/4" 20	1" 25	1 1/4" 32	1 1/2" 40	2" 50	2 1/2" 65	3" 80	4" 100
A	65	70	80	90	100	110	125	140	175
B	100	115	120	145	165	185	235	255	315
C	60	65	75	75	95	110	125	125	175
WTS.	0.80	1.20	1.80	2.20	3.50	4.20	7.00	9.50	18.80