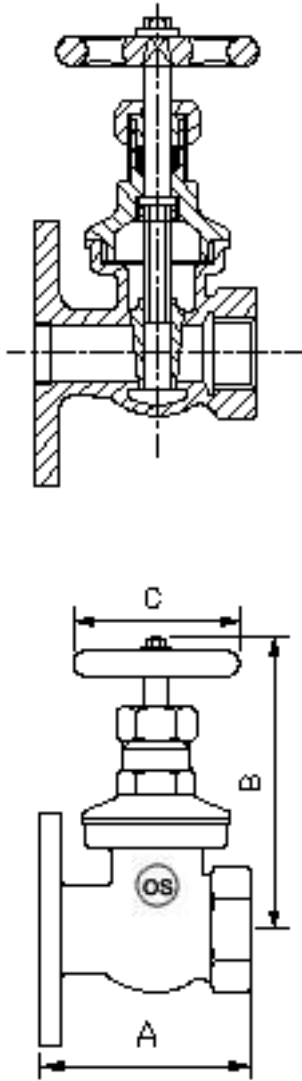


# Bronze Gate Valve (Transformer)

## Class 2 • S I B • Non-Rising Stem • S / F End • Locking Rod



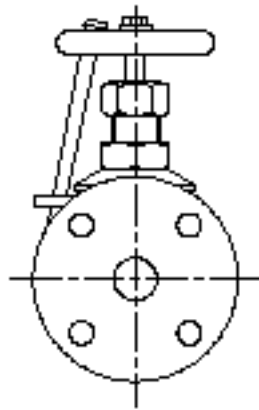
### Product no. 111200ISFL

#### Size Range:

1/2 through 4 inches  
Max. temperature limit is 450°F (232°C)

#### Working Pressures / Temperature Rating:

50 lbs/in<sup>2</sup> at 250 °F Transformer Oil  
3.5 bar at 121 °C Transformer Oil  
650 kPa at 121 °C Transformer Oil



### Features

- Non Rising Stem
- Screwed Bonnet
- Flanged Ends are plain faces with two v-shaped concentric grooves between the port and bolt holes.
- Full Ports
- PTFE Gland Packing
- Integral Bronze Seat
- Recommended for Transformer Oil
- Powder Coated Aluminium Handwheel
- Powder Coated M.S.Locking Rod

For more details please contact:  
[export@oswalvalve.com](mailto:export@oswalvalve.com)

Above size 4" also available on request

TESTING HYDROSTATIC: BODY: 24 Kg/Cm<sup>2</sup>  
SEAT : 16 Kg/Cm<sup>2</sup>

### Principal Parts & Materials

Part	Material	IS
Body	Bronze	318 LTB2
Bonnet	Bronze	318 LTB2
Disc	Bronze	318 LTB2
Stem	Brass	319 GR 2

### Dimensions and Weights

Millimeters - Kilograms

DN	1/2" 15	3/4" 20	1" 25	1 1/4" 32	1 1/2" 40	2" 50	2 1/2" 65	3" 80	4" 100
A	65	70	80	90	100	110	125	140	175
B	100	115	120	145	165	185	235	255	315
C	60	65	75	75	95	110	125	125	175
WTS.	0.80	1.20	1.70	2.10	3.30	4.20	6.30	8.70	17.70