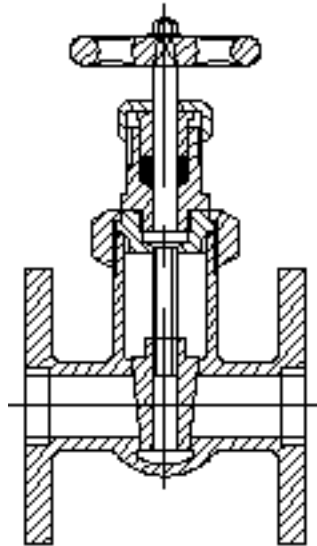


# Bronze Gate Valve

## Class 300 • Union Bonnet • Non-Rising Stem • Flanged Ends



**Product no. 113200 - 300**

**Size Range:**

1 through 4 inches  
Max. temperature limit is 450°F (232°C)

**Working Pressures**

**Non-Shock:**

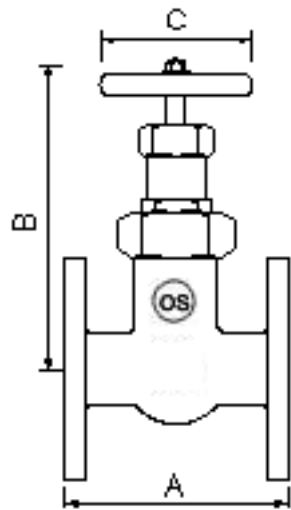
300 psi Steam, Basic Rating  
500 psi Cold Working Pressure

**Features**

- Non Rising Stem
- Union Bonnet
- Flanged Ends are plain faces with two V-shaped concentric grooves between the port and bolt holes.
- Full Ports
- Back Seat
- Integral Bronze Seat
- Recommended for WOG
- MSS Specification SP-80

For more details please contact:  
export@oswalvalve.com

Above size 3" manufacturers standard applicable.



**Principal Parts & Materials**

Part	Material	ASTM
Body	Bronze	B62 alloy 83600
Bonnet	Bronze	B62 alloy 83600
Disc	Bronze	B62 alloy 83600
Stem	Brass	B16 alloy C36000

**Dimensions and Weights**

Millimeters - Kilograms

DN	1" 25	1 1/4" 32	1 1/2" 40	2" 50	2 1/2" 65	3" 80	4" 100
A	100	110	120	135	-	-	-
B	130	150	170	200	-	-	-
C	70	85	95	105	-	-	-
WTS.	3.00	3.40	5.40	6.50	-	-	-