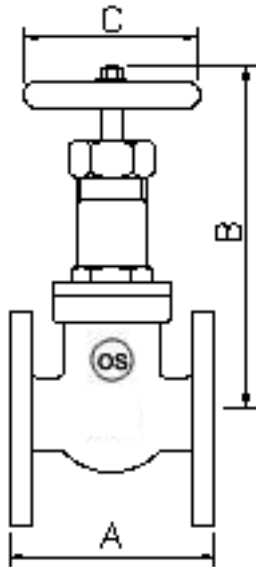
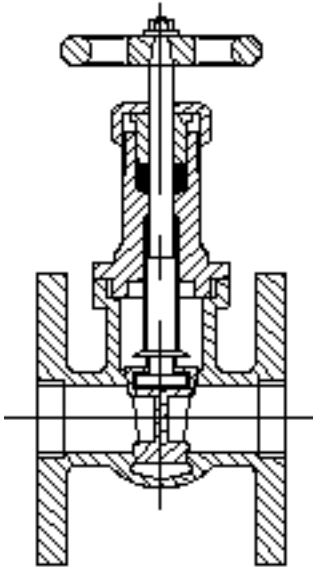


Bronze Gate Valve

Class 300 • Screwed in Bonnet • Rising Stem • Flanged Ends



Product no. 112200 - 300

Size Range:

1 through 3 inches
Max. temperature limit is 450°F (232°C)

Working Pressures

Non-Shock:

300 psi Steam, Basic Rating
500 psi Cold Working Pressure

Features

- Non Rising Stem
- Screwed Bonnet
- Flanged Ends are plain faces with two V-shaped concentric grooves between the port and bolt holes.
- Full Ports
- Back Seat
- Integral Bronze Seat
- Recommended for WOG
- MSS Specification SP-80

For more details please contact:
export@oswalvalve.com

Principal Parts & Materials

Part	Material	ASTM
Body	Bronze	B62 alloy 83600
Bonnet	Bronze	B62 alloy 83600
Disc	Bronze	B62 alloy 83600
Stem	Brass	B16 alloy C36000

Dimensions and Weights

Millimeters - Kilograms

DN	1" 25	1 1/4" 32	1 1/2" 40	2" 50	2 1/2" 65	3" 80	4" 100
A	100	110	120	135	-	-	-
B	130	160	190	215	-	-	-
C	70	85	95	105	-	-	-
WTS.	3.20	3.70	5.70	6.90	-	-	-