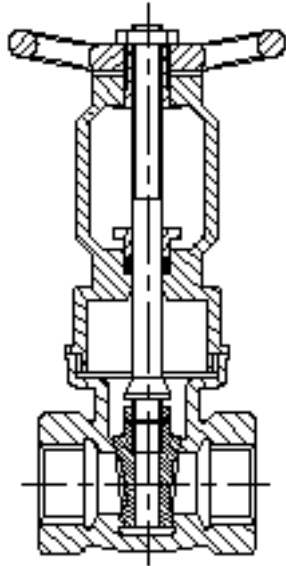


Bronze Gate Valve

Class 300 • SIB • OS&Y • Rising Stem • Threaded Ends



Product no. 115100 - 300

Size Range:

1/2 through 2 inches

Max. temperature limit is 450°F (232°C)

Working Pressures

Non-Shock:

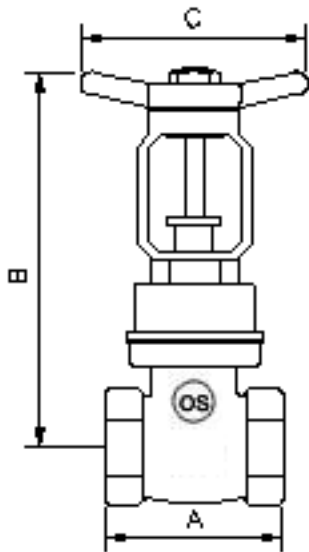
300 psi Steam, Basic Rating

1000 psi Cold Working Pressure

Features

- Rising Stem
- Outside Screw and Yoke
- Threaded Ends
- Solid Wedge Disc
- Full Ports
- Back Seat
- Integral Bronze Seat
- MSS Specification SP-80
- Easy to lubricate to ease operation and prevent wear.

For more details please contact:
export@oswalvalve.com



Principal Parts & Materials

Part	Material	ASTM
Body & Bonnet	Bronze	B62 alloy 83600
Disc	Bronze	B62 alloy C83600
Yoke sleeve	Brass	B16 alloy C36000
Stem	Brass	B16 alloy C36000

Dimensions and Weights

Millimeters - Kilograms

DN	1/2" 15	3/4" 20	1" 25	1 1/4" 32	1 1/2" 40	2" 50
A	60	60	70	80	90	100
B	145	150	170	190	225	275
C	85	85	85	85	115	115
WTS.	1.20	1.40	1.70	3.00	3.50	4.50