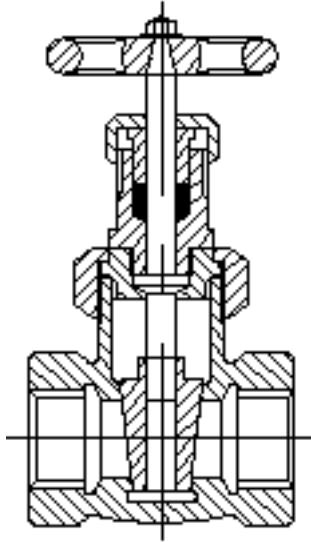


Bronze Gate Valve

Class 300 • Union Bonnet • Non-Rising Stem • Threaded Ends



Product no. 113100 - 300

Size Range:

1/2 through 4 inches

Max. temperature limit is 450°F (232°C)

Working Pressures

Non-Shock:

300 psi Steam, Basic Rating

1000 psi Cold Working Pressure

1/2" to 2" - (15mm - 50mm)

600 psi Cold Working Pressure

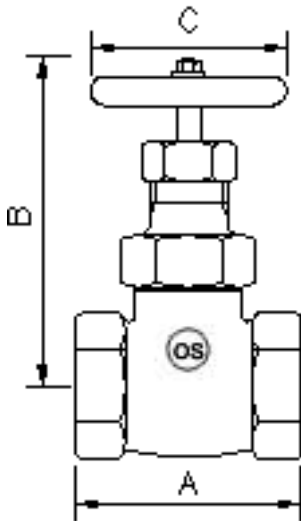
2.1/2" to 4" - (65mm- 100mm)

Features

- Non-Rising Stem
- Union Bonnet
- Solid Wedge Disc
- Threaded Ends
- Full Ports
- Back Seat
- Integral Bronze Seat
- Recommended for WOG
- MSS Specification SP-80

For more details please contact:
export@oswalvalve.com

Above size 3" manufacturers standard applicable.



Principal Parts & Materials

Part	Material	ASTM
Body	Bronze	B62 alloy C83600
Bonnet	Bronze	B62 alloy C83600
Disc	Bronze	B62 alloy C83600
Stem	Brass	B16 alloy C36000

Dimensions and Weights

Millimeters - Kilograms

DN	1/2" 15	3/4" 20	1" 25	1 1/4" 32	1 1/2" 40	2" 50	2 1/2" 65	3" 80	4" 100
A	60	60	70	80	90	100	-	-	-
B	100	115	130	150	170	200	-	-	-
C	55	65	70	85	95	105	-	-	-
WTS.	1.00	1.20	1.70	2.30	2.80	4.60	-	-	-