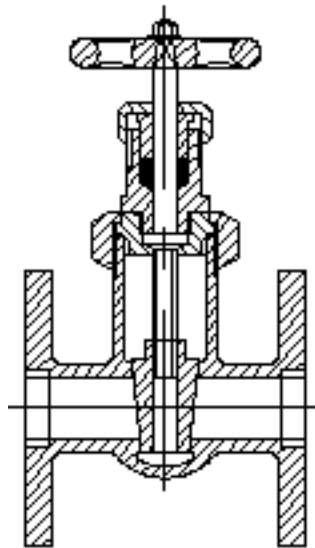


Bronze Gate Valve

Class 150 • Union Bonnet • Non-Rising Stem • Flanged Ends



Product no. 113200 - 150

Size Range:

1 through 4 inches
Max. temperature limit is 450°F (232°C)

Working Pressures

Non-Shock:

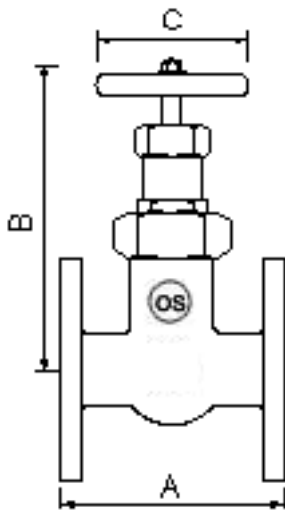
150 psi Steam, Basic Rating
225 psi Cold Working Pressure

Features

- Non Rising Stem
- Union Bonnet
- Flanged Ends are plain faces with two V-shaped concentric grooves between the port and bolt holes.
- Full Ports
- Back Seat
- Integral Bronze Seat
- Recommended for WOG
- MSS Specification SP-80

For more details please contact: export@oswalvalve.com

Above size 3" manufacturers standard applicable.



Principal Parts & Materials

Part	Material	ASTM
Body	Bronze	B62 alloy 83600
Bonnet	Bronze	B62 alloy 83600
Disc	Bronze	B62 alloy 83600
Stem	Brass	B16 alloy C36000

Dimensions and Weights

Millimeters - Kilograms

DN	1" 25	1 1/4" 32	1 1/2" 40	2" 50	2 1/2" 65	3" 80	4" 100
A	100	110	120	135	165	185	-
B	130	150	170	200	215	250	-
C	70	85	95	105	120	140	-
WTS.	2.80	3.20	5.20	6.30	9.40	12.5	-