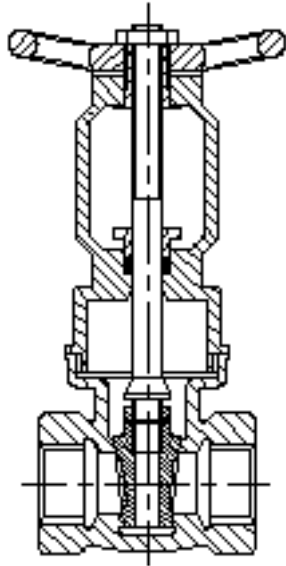


Bronze Gate Valve

Class 150 • SIB • OS&Y • Rising Stem • Threaded Ends



Product no. 115100 - 150

Size Range:

1/2 through 2 inches

Max. temperature limit is 450°F (232°C)

Working Pressures

Non-Shock:

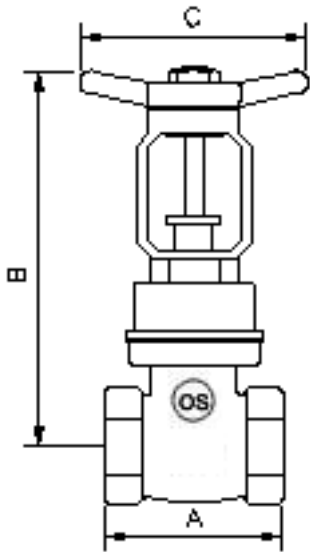
150 psi Steam, Basic Rating

300 psi Cold Working Pressure

Features

- Rising Stem
- Outside Screw and Yoke
- Threaded Ends
- Solid Wedge Disc
- Full Ports
- Back Seat
- Integral Bronze Seat
- MSS Specification SP-80
- Easy to lubricate to ease operation and prevent wear.

For more details please contact:
export@oswalvalve.com



Principal Parts & Materials

| Part | Material | ASTM |
|---------------|----------|------------------|
| Body & Bonnet | Bronze | B62 alloy 83600 |
| Disc | Bronze | B62 alloy C83600 |
| Yoke sleeve | Brass | B16 alloy C36000 |
| Stem | Brass | B16 alloy C36000 |

Dimensions and Weights

Millimeters - Kilograms

| DN | 1/2" 15 | 3/4" 20 | 1" 25 | 1 1/4" 32 | 1 1/2" 40 | 2" 50 |
|------|------------|------------|----------|--------------|--------------|----------|
| A | 60 | 60 | 70 | 80 | 90 | 100 |
| B | 145 | 150 | 170 | 190 | 225 | 275 |
| C | 85 | 85 | 85 | 85 | 115 | 115 |
| WTS. | 1.20 | 1.40 | 1.70 | 3.00 | 3.50 | 4.50 |